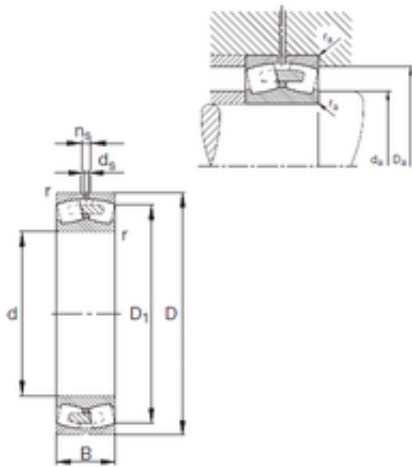




Changzhou Chenglong Bearing Co., Ltd.

340 mm x 580 mm x 190 mm FAG 23168-E1A-MB1 Roller Bearings



Bearing No. 23168-E1A-MB1

Size	340x580x190 mm
Bore Diameter	340 mm
Outer Diameter	580 mm
Width	190 mm
d	340 mm
D	580 mm
B	190 mm
C	190 mm
n	23,5 mm
r min.	5 mm
D1	502,6 mm
da min.	360 mm
Da max.	560 mm
ra max.	4 mm
d5	12,5 r/min
Weight	208 Kg
Basic dynamic load rating (C)	4350 kN
Basic static load rating (C0)	6600 kN
Fatigue load limit (Pu)	465
Reference speed	610 r/min
Limiting speed	1 120 r/min
Calculation factor (e)	0,32
Calculation factor (Y0)	2,06
Calculation factor (Y1)	2,1
Calculation factor (Y2)	3,13

23168-E1A-MB1 Bearing 2D drawings and 3D CAD models



Changzhou Chenglong Bearing Co., Ltd.